

ANGLED GRAB RAIL 90° WITH SHOWER RISER BF625



1100 x 600 mm

- Angled grab rail 90° with shower riser and shower head holder in robust, germ-reducing and easy-care stainless steel (AISI 304), satin finished.
- Outer diameter of tubes 32 mm for ergonomic hold, clearance from wall 106 mm, bend radii 75 mm.
- Shower head holder in nylon continuously height-adjustable and rotatable.
- Wall mountings with 8-point mounting plate – can be freely rotated, 4 mm thick with 2K-wall sealing-disc.
- Supports weight up to 125 kg.
- Concealed fixings 75 mm in diameter, anti-theft, with silicone sealing ring at tube joint.
- TÜV-certified in accordance with DIN EN 12182, CE-marked in accordance with 93/42 EEC.
- Mounting: With nine screws.
- Delivery includes fixing material.
- Intermediate sizes available upon request.



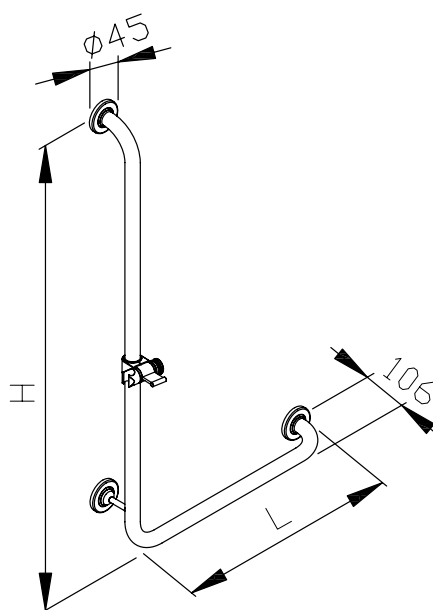
Suggested text for specifications:

Angled grab rail 90° with shower riser and shower head holder in stainless steel (AISI 304), outer diameter of tubes 32 mm, clearance from wall 106 mm, surface satin finished. Shower head holder in nylon continuously height-adjustable and rotatable. Wall mountings with 8-point mounting plate – can be freely rotated, 4 mm thick with 2K-wall sealing-disc; supports weight up to 125 kg. Concealed fixings 75 mm in diameter, anti-theft, with silicone sealing ring at tube joint. TÜV-certified in accordance with DIN EN 12182, CE-marked in accordance with 93/42 EEC. Delivery includes fixing material.

Version: left / right

Length 600 x Height 1100 mm

Article No. BF625



Options	ID No.
Corner basket BA260	600 260
Straight basket BA270	600 270

Available surfaces	Length / ID No.	
	1100 x 600 mm left	1100 x 600 mm right
satin finished	625 500	625 600

Ernst Wagner GmbH & Co. KG

Ernst-Abbe-Straße 21 · D-72770 Reutlingen · Tel.: +49712151539-0 · Fax: -20
info@wagner-ewar.de · www.wagner-ewar.de

WAGNER
EWAR