

PAPER TOWEL DISPENSER FOR MOUNTING IN CABINET WP175



298 x 298 x 121 mm
approx. 500 paper towels

- Paper towel dispenser in robust, germ-reducing and easy-care stainless steel (AISI 304).
- For mounting in cabinet on site.
- All-stainless steel housing; visible surfaces satin finished and brushed.
- With deep-drawn paper removal opening for easy paper removal.
- Designed for approx. 500 standard paper towels in zigzag fold.
Paper size (folded): 240-250 mm x 100-115 mm.
Refillable from the top.
- Mounting: With four screws through key holes and one optional anti-theft hole in the back wall.
- Delivery includes fixing material, self-adhesive information label „Paper“ and one pack of paper towels.
- Weight, including single package: 2.4 kg

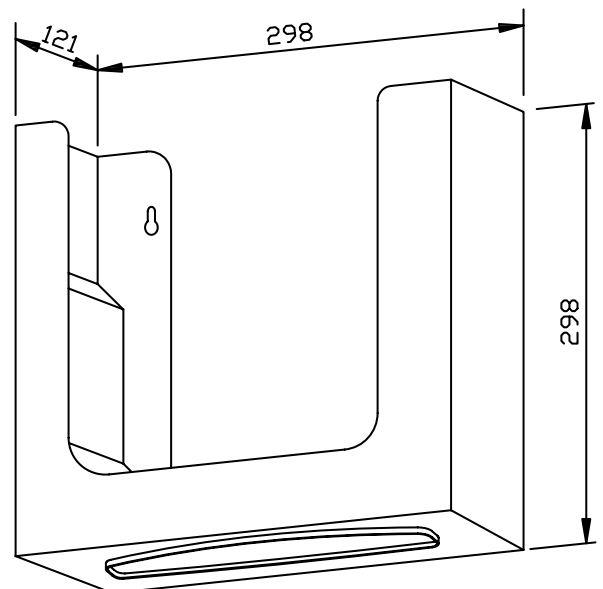


Suggested text for specifications:

Paper towel dispenser in stainless steel (AISI 304) for mounting in cabinet. All-stainless steel housing; visible surfaces satin finished and brushed. With deep-drawn paper removal opening, filling quantity approx. 500 paper towels. Refillable from the top. Delivery includes fixing material, self-adhesive information label „Paper“ and one pack of paper towels.

Dimensions: 298 x 298 x 121 mm

Article No. WP175



Available surface	ID No.
satin finished	727 055

Ernst Wagner GmbH & Co. KG

Ernst-Abbe-Straße 21 · D-72770 Reutlingen · Tel.: +49712151539-0 · Fax: -20
info@wagner-ewar.de · www.wagner-ewar.de

WAGNER
EWAR