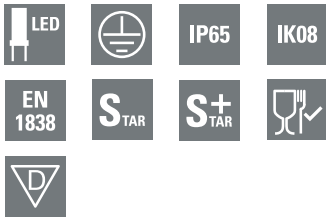


i-P65+ CG-S Aluminium enclosure

Safety and Exit Sign Luminaires with High Ingress Protection



i-P65+ CG-S Aluminium enclosure

- LED safety luminaire with high ingress protection class (IP65) for both indoor and outdoor use
- Robust design (IK08) made from aluminium die-cast and impact-resistant polycarbonate
- With wide-beam symmetrical lens with a near-square light distribution, i-P65+ L variant is suitable for illuminating large areas (Spacing in both direction up to 22 m for $E = 1\text{ lx}$ and up to 31 m for $E = 0.5\text{ lx}$) and mounting heights up to 18 m
- With narrow-beam reflector technology, the i-P65+ H variant is especially suitable for exit route lighting with high spacing up to 30 m and mounting heights up to 26 m
- High lumen output ensures suitability for increased illumination levels such as min 15 lx for high risk task areas or applications with 10.8 lx acc. NFPA 101
- With provisions for M20 cable entries on enclosure sides (3 x lateral and 1 x at each end side) and BESA entry on rear
- Minimum maintenance effort and increased safety via use of LEDs with high service life (up to 60,000 h)
- Shortened inspection effort due to CEWA GUARD technology
- Automatic function monitoring for up to 20 luminaires per circuit
- Reduced installation cost through STAR Technology
- Freely programmable mixed operation, allowing the switching of luminaire modes within one circuit

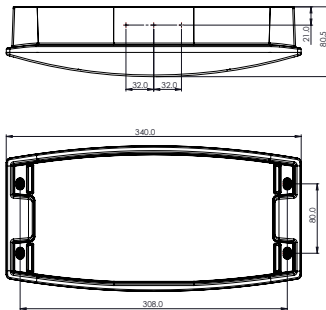
i-P65+ L CG-S



i-P65+ H CG-S



Dimensions in mm



Luminous flux Φ_N	i-P65+ L: 770 lm i-P65+ H: 590 lm
Luminous flux Φ_E/Φ_N at end of rated operating time	100%
Housing material	Aluminium, Polycarbonat (cover)
Housing colour	White
Weight	1,85 kg
Type of mounting	Ceiling mounting
Terminals	3 x 2 x 2,5 mm ²
Connection voltage	220 – 240 V AC, 50/60 Hz 176 – 275 V DC
Current consumption- battery operation	40 mA
Power consumption mains operation (apparent power / effective power)	15.6 VA / 9.3 W
Inrush current	3 A
Permissible ambient temperature	-20°C to +40°C
Light source	COB LED 6.4 W

Ordering details

Type	Scope of supply	Order no.
i-P65+ L CG-S, Aluminium enclosure	Safety luminaire, with wide-beam, symmetrical lenses for anti-panic/open area illumination, incl. LED supply with CG-S technology (20 addresses)	IP65PLACGS
i-P65+ H CG-S, Aluminium enclosure	Safety luminaire, with narrow-beam lenses for emergency lighting, incl. LED supply with CG-S technology (20 addresses)	IP65PHACGS

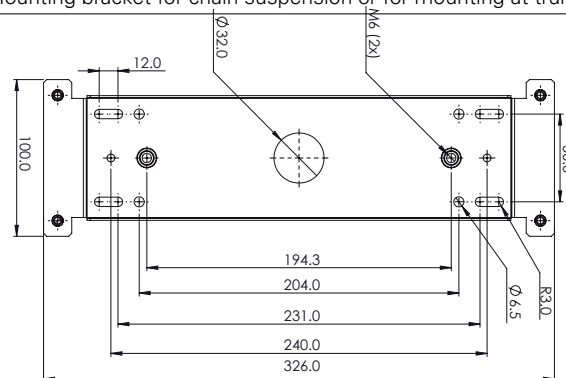
1 x M20-cable gland included.

Ordering details - Accessories

Mounting bracket

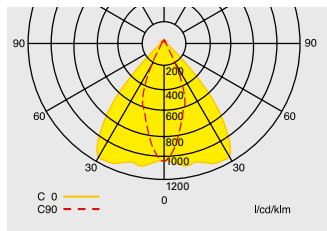


Type	Order no.
Mounting bracket for chain suspension or for mounting at trunking systems or similar	IP65PSUSPB



i-P65+ CG-S

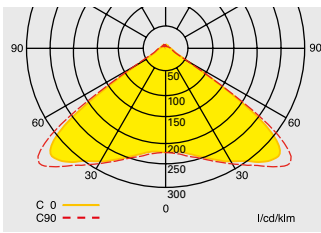
Safety and Exit Sign Luminaires with High Ingress Protection



5 Light distribution curve
i-P65+ H CG-S
with asymmetric optics

Planning assistance for i-P65+ H CG-S - Asymmetric optics for E = 1.0 lx (0.5 lx) Measuring height 0.02 m, maintenance factor MF = 80 %, battery operation

Mounting height [m]	Type of mounting	L1	L2	L3	L4
3	Ceiling mounting	3.2 (3.5)	7.0 (8.1)	2.3 (2.9)	5.8 (7.5)
4	Exit route center	4.2 (4.4)	8.7 (9.6)	2.6 (3.2)	6.5 (8.1)
5		5.1 (5.3)	10.6 (11.2)	3.0 (3.4)	6.9 (8.7)
6		6.0 (6.2)	12.4 (13.0)	3.4 (3.7)	7.5 (9.3)
7		6.8 (7.1)	14.3 (14.9)	3.8 (4.2)	8.4 (9.7)
8		7.5 (8.0)	16.0 (16.7)	4.2 (4.6)	9.2 (10.3)
9		8.2 (8.9)	17.7 (18.5)	4.5 (5.0)	10.1 (11.1)
10		8.9 (9.7)	19.3 (20.3)	4.8 (5.4)	10.9 (11.9)
11		9.5 (10.4)	20.8 (22.1)	5.0 (5.8)	11.6 (12.8)
12		10.0 (11.1)	22.2 (23.8)	5.2 (6.2)	12.3 (13.7)
13		10.4 (11.8)	23.6 (25.5)	5.3 (6.5)	13.0 (14.5)
14		10.7 (12.5)	24.9 (27.1)	5.3 (6.8)	13.5 (15.3)
15		10.9 (13.1)	26.2 (28.6)	5.2 (7.0)	14.0 (16.1)
16		11.0 (13.6)	27.2 (30.1)	4.7 (7.2)	14.4 (16.8)
17		11.1 (14.1)	28.2 (31.5)	4.2 (7.4)	14.7 (17.5)
18		11.0 (14.5)	29.0 (32.9)	3.8 (7.5)	14.6 (18.1)
19		10.7 (14.9)	29.7 (34.2)	3.2 (7.5)	14.5 (18.7)
20		9.7 (15.1)	30.2 (35.5)	2.7 (7.5)	14.4 (19.3)
21		8.0 (15.3)	30.7 (36.7)	1.9 (7.4)	14.1 (19.7)
22		4.9 (15.5)	29.0 (37.9)	0.7 (7.1)	13.8 (20.2)
3	Ceiling mounting	1.7 (2.2)	5.6 (7.1)	2.5 (2.5)	5.6 (7.0)
4	Room illumination	2.7 (2.1)	7.5 (7.7)	2.9 (3.2)	5.7 (7.8)
5		3.4 (3.1)	9.4 (9.3)	3.1 (3.6)	6.2 (7.9)
6		3.9 (3.9)	11.1 (11.4)	3.4 (3.9)	7.1 (8.1)
7		5.9 (4.6)	12.7 (13.3)	3.7 (4.1)	7.9 (8.7)
8		4.8 (5.1)	14.2 (14.9)	4.0 (4.5)	8.8 (9.6)
9		5.2 (5.6)	15.6 (16.5)	4.2 (4.8)	9.6 (10.5)
10		6.6 (6.1)	17.1 (18.1)	4.3 (5.1)	10.2 (11.3)
11		7.1 (6.4)	18.5 (19.6)	4.4 (5.3)	10.8 (12.2)
12		7.5 (6.9)	19.8 (21.1)	4.5 (5.6)	11.4 (13.0)
13		7.9 (8.4)	21.2 (22.6)	4.4 (5.7)	11.9 (13.7)
14		7.8 (8.8)	22.3 (23.9)	4.4 (5.9)	12.5 (14.4)
15		8.0 (9.8)	23.6 (25.5)	4.2 (5.9)	12.9 (14.9)
16		7.5 (9.9)	24.6 (26.7)	4.1 (6.1)	13.4 (15.6)
17		7.8 (10.2)	25.9 (28.0)	3.6 (6.2)	13.6 (16.2)
18		8.0 (10.7)	27.2 (29.4)	3.1 (6.1)	13.6 (16.7)
19		8.1 (11.0)	28.4 (30.7)	2.5 (6.0)	13.5 (17.2)
20		8.0 (10.8)	29.6 (31.8)	1.8 (6.0)	13.4 (17.8)
21		7.5 (10.6)	30.5 (32.9)	1.4 (6.0)	13.3 (18.3)
22		6.7 (10.1)	31.7 (34.0)	0.5 (5.8)	12.9 (18.8)
23		4.0 (10.4)	29.8 (35.2)	0.5 (5.5)	13.0 (19.1)
24		3.7 (10.7)	30.6 (36.5)	0.5 (5.0)	12.1 (19.3)
25		4.1 (11.1)	31.7 (38.0)	0.5 (4.3)	11.2 (19.2)
26		4.7 (10.8)	33.1 (38.7)	0.5 (4.2)	10.2 (19.4)



Light distribution curve
i-P65+ L CG-S
with symmetric optics

Planning assistance for i-P65+ L CG-S - Symmetric optics for E = 1,0 lx (0,5 lx)

Measuring height 0.02 m, maintenance factor MF = 80 %, battery operation

Mounting height [m]	Type of mounting	L1	L2	L3	L4
3	Ceiling mounting	4.5 (4.7)	9.4 (10)	4.5 (4.8)	9.6 (10.3)
4	Exit route center	5.8 (6.1)	12.1 (12.6)	5.8 (6.1)	12.2 (12.9)
5		7.0 (7.4)	14.8 (15.4)	6.9 (7.4)	14.8 (15.6)
6		8.0 (8.6)	17.3 (18.1)	7.8 (8.6)	17.2 (18.2)
7		8.7 (9.8)	19.6 (20.7)	8.5 (9.7)	19.4 (20.7)
8		9.1 (10.9)	21.7 (23.3)	8.7 (10.7)	21.3 (23.2)
9		8.8 (11.7)	23.4 (25.7)	8.4 (11.4)	22.8 (25.4)
10		7.6 (12.4)	24.0 (28.0)	7.2 (12.0)	23.4 (27.6)
11		5.7 (12.8)	23.9 (30.1)	5.6 (12.3)	23.3 (29.6)
12		- (12.8)	20.7 (31.9)	- (12.2)	19.5 (31.2)
3	Ceiling mounting	4.2 (4.0)	8.4 (9.4)	4.2 (3.9)	8.4 (9.3)
4	Room illumination	5.3 (5.5)	10.8 (11.4)	5.3 (5.5)	10.8 (11.4)
5		6.3 (6.7)	13.2 (13.7)	6.2 (6.7)	13.1 (13.7)
6		7.1 (7.7)	15.4 (16.1)	7.1 (7.7)	15.4 (16.1)
7		7.6 (8.7)	17.6 (18.5)	7.5 (8.6)	17.6 (18.4)
8		8.1 (9.5)	19.6 (20.8)	8.0 (9.4)	19.6 (20.7)
9		8.3 (10.2)	21.5 (23.0)	8.3 (10.0)	21.5 (22.9)
10		6.0 (10.6)	22.6 (25.1)	6.3 (10.5)	22.5 (25.1)
11		4.3 (10.9)	22.4 (27.1)	4.4 (11.0)	22.4 (27.2)
12		0.8 (11.6)	21.5 (29.1)	0.7 (11.4)	21.5 (29.0)
13		0.5 (11.5)	19.0 (30.9)	0.5 (11.5)	19.0 (30.9)
14		0.5 (8.2)	19.2 (32.1)	0.5 (8.8)	19.2 (31.9)
15		0.5 (6.4)	19.4 (31.8)	0.5 (6.8)	19.4 (31.8)
16		0.5 (6.0)	19.6 (31.5)	0.5 (5.5)	19.6 (31.2)
17		0.5 (0.7)	19.6 (29.8)	0.5 (0.5)	19.6 (29.1)
18		0.5 (0.6)	19.4 (27.1)	0.5 (0.5)	19.3 (27.0)